

Power System Filter



The Power System Filter from Glow-worm is made from high quality materials to a unique design by Glow-worm's UK engineering team. It has been designed to specifically complement the latest Glow-worm range of appliances and can cope with all outputs, right up to the powerful 35kW models.

Our engineers have designed the filter so that it can fit horizontally onto the pipework, close to the bottom of the boiler in tight spaces, making it a very discreet solution that protects the boiler and keeps it functioning more efficiently, for longer.

The Power System Filter is supplied with a 22mm isolation valve for simple and quick drain-down of the filter for maintenance and cleaning. It has a maximum operating pressure of three bar.

Our Power System Filter has been designed to give you even more confidence in the reliability of our products. Its compact yet robust build helps prolong the life of our boilers and delivers long-term performance. Servicing is straightforward and replacement O-rings are available as a spare part.

Patent Pending UK 2009327.4.

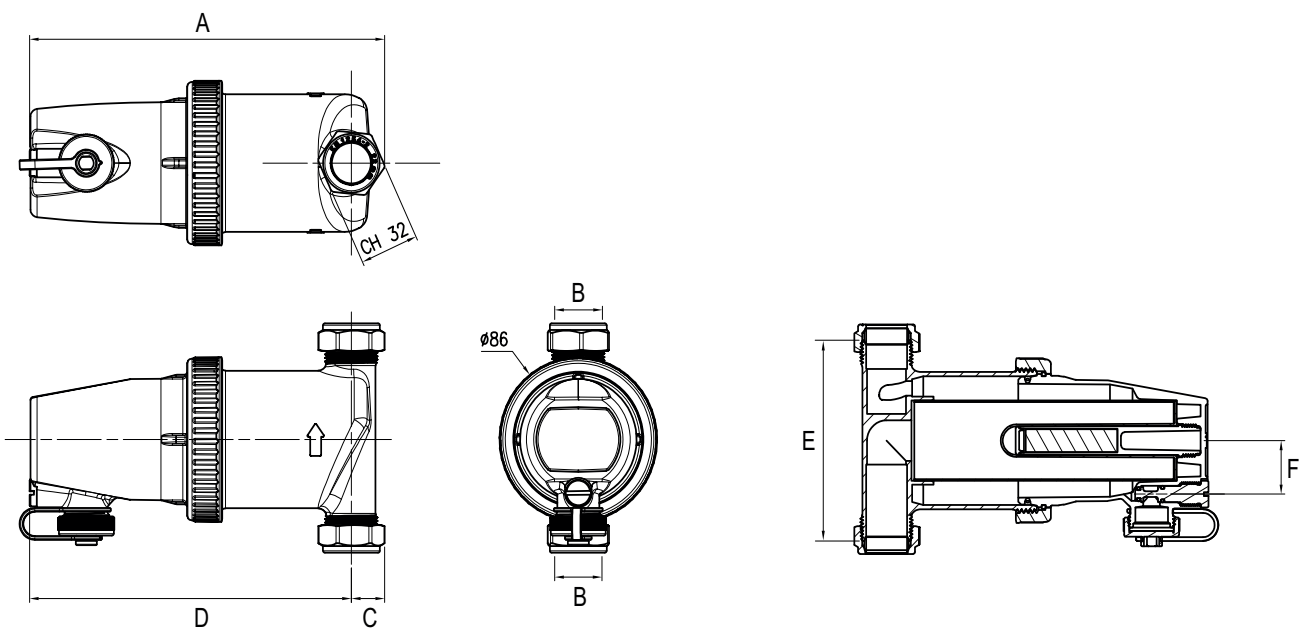
Features and benefits



- Horizontal siting provides a more discreet, space-saving fit
- Compact design allows more flexible, less intrusive siting options
- High-quality brass body guarantees long-lasting performance
- Composite front section removes unnecessary weight
- Easy disassembly makes servicing faster
- Hard wearing stainless steel mesh that collects non-magnetic debris and blocks sludge from entering the boiler

- Suitable for boilers located in any situation
- Perfect for boilers installed in cold situations where glycol has been added to protect from freezing
- Can connect to a standard hose for easy draining of the filter for maintenance
- The unique design incorporates a sealing ring that allows the head to rotate without leaking, so the drain point can also be used as a dosing point
- Ideal for modern systems as well as older, high temperature systems
- 500ml volume to assist with dosing

Technical specification

Technical data	Unit	Power System Filter
		22mm fitting only
A	mm	194
B	mm	22
C	mm	18
D	mm	176
E	mm	105
F	mm	28



 @glow_wormclub
 @GlowWormHeating
www.glow-worm.co.uk

Glow-worm
 Nottingham Road
 Belper
 Derbyshire
 DE56 1JT

GWLFTB2BPSF0720